

LULU eSET Touchfree Basin mixer without pop-up waste with temperature setting - Chrome

LULU

ST 010 103 9710



- 155mm projection
 - fixed spout
 - circular, air-enriched flow
 - height of mixer 114 mm
 - height up to aerator 90 mm
 - hole diameter 35 mm
 - 2x screw-in M 10 x 1 pressure hose, leak-tested
 - 1/2" connection
 - max. flow 7 l/min
 - lead-free
 - automatic hygiene flush
 - suitable for thermal disinfection
 - adjustable follow-up time
 - high-frequency sensors with self-calibration
 - magnetic valve
 - temperature setting via thermostat
 - 100-240 V AC / 12 V DC, 50-60 Hz, 18 W power supply unit, incl. country-specific adapter set
 - This product can help a building meet the requirements of Green Building Rating Systems, e.g. LEED®, BREEAM®, DGNB
- Cannot be combined with basins in conducting materials (e.g. steel, river stone).**
Cannot be combined with basins that have a closing drain.
ATTENTION: Separate terms and conditions for electronic articles are applicable.

Individual components of this set

You need the following components for this set



1x

42 765 970 90



1x

13 716 710-00



LULU eSET Touchfree Basin mixer without pop-up waste with temperature setting - Chrome

LULU

ST 010 103 9710

LULU eSET Touchfree Basin mixer without pop-up waste with temperature setting - Chrome

LULU

ST 010 103 9710



Fits: IMO, LULU, MADISON, MEM, TARA, CL.1, LISSÉ, VAIA, META, CYO

- automatic hygiene flush
 - suitable for thermal disinfection
 - adjustable follow-up time
 - high-frequency sensors with self-calibration
 - magnetic valve
 - temperature setting via thermostat
 - 100-240 V AC / 12 V DC, 50-60 Hz, 18 W power supply unit, incl. country-specific adapter set
- Cannot be combined with basins in conducting materials (e.g. steel, river stone).
Cannot be combined with basins that have a closing drain.**
- ATTENTION: Separate terms and conditions for electronic articles are applicable.**

Cannot be combined with basins in conducting materials (e.g. steel, river stone).

Cannot be combined with basins that have a closing drain.

ATTENTION: Separate terms and conditions for electronic articles are applicable.

Required miscellaneous



eSET Touchfree Basin mixer with temperature setting for combining with wall-mounted fittings - 35 741 970 90

- max. recess depth 125 mm
- min. recess depth 90 mm

Required miscellaneous



eSET Touchfree Basin mixer with temperature setting for combining with free-standing fittings - 35 740 970 90

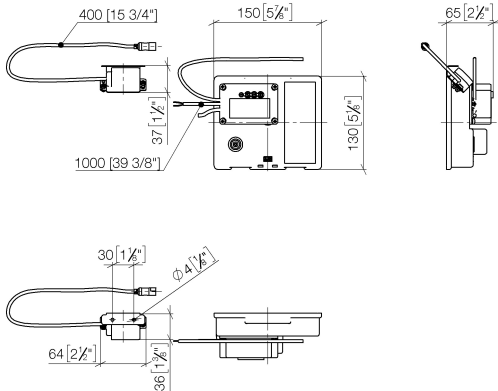
Recommended miscellaneous

Extension for Touchfree 500 mm - 12 765 970 90



LULU eSET Touchfree Basin mixer without pop-up waste with temperature setting - Chrome

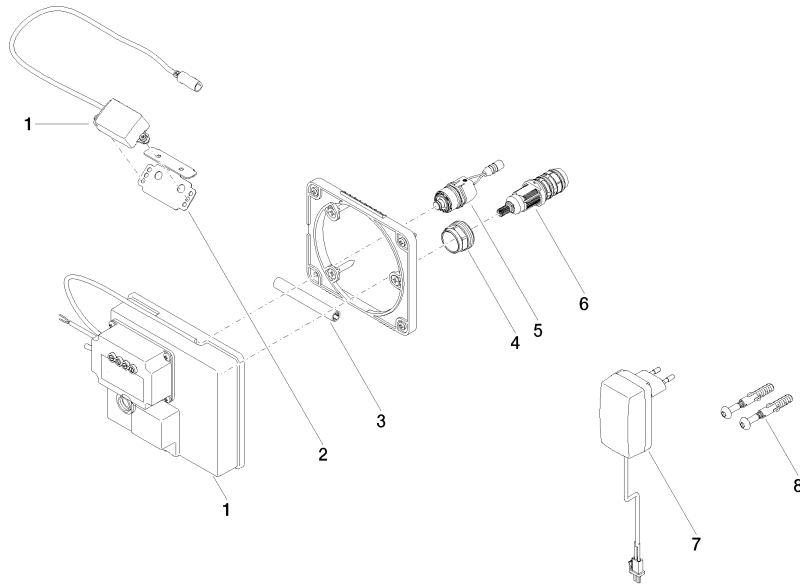
ST 010 103 9710
mm [inches]



Certificates

LGA_29120.	WRAS_1906116.	IAPMO_EGS.	CE000001_eSet_Tou chfree_20171206_D E_signed.	CE000002_eSet_Tou chfree_20171206_E N_signed.
LGA_29119.				

ST 010 103 9710



Spare parts list

No.	Item Number	Name	Quantity used	Delivery time
1	90 10 01 177 00 90	electronic accessories	1	2
2	90 17 20 199 00 90	holder	1	2
3	90 23 01 124 00 90	sleeve	1	2
4	09 23 10 129 90	nut	1	2
5	04 30 50 079 00 90	valve	1	2
6	90 15 02 013 00 90	cartridge	1	2
7	04 10 01 246 00 90	electronic accessories	1	2
8	04 30 31 024 01 90	fixing set	1	2

LULU eSET Touchfree Basin mixer without pop-up waste with temperature setting - Chrome

LULU

ST 010 103 9710



- 155mm projection
- fixed spout
- circular, air-enriched flow
- height of mixer 114 mm
- height up to aerator 90 mm
- hole diameter 35 mm
- 2x screw-in M 8 x 1 pressure hose, leak-tested
- 1/2" connection
- max. flow 7 l/min
- lead-free
- This product can help a building meet the requirements of Green Building Rating Systems, e.g. LEED®, BREEAM®, DGNB

For Touchfree control please order eSet Touchfree WITH or WITHOUT temperature adjustment

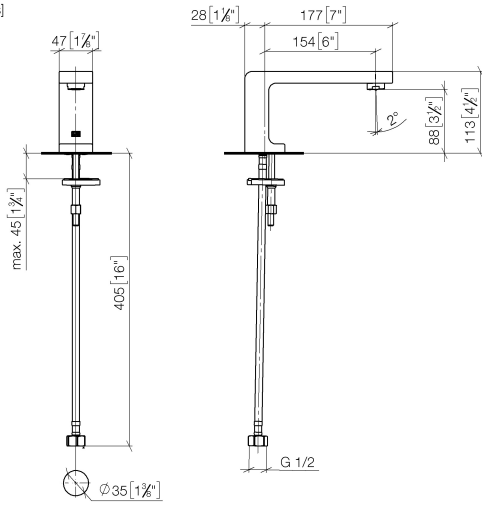


LULU eSET Touchfree Basin mixer without pop-up waste with temperature setting - Chrome

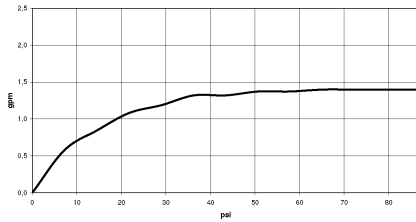
LULU

ST 010 103 9710

ST 010 103 0710
mm [inches]

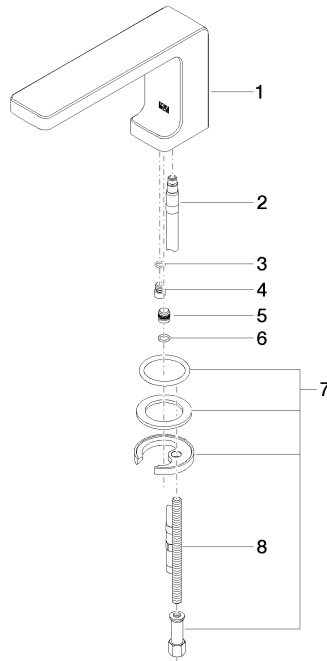


Flow rate chart



Certificates

WRAS_1909064.



Spare parts list

No.	Item Number	Name	Quantity used	Delivery time
1	90 11 71 096 00-00	spout	1	-
Spare part can no longer be ordered, please order the replacement item				
2	04 30 04 018 00 90	hose	1	60
3	09 14 10 132 90	seal	1	2
4	09 31 20 108 90	plug	1	60
5	09 31 20 052 90	plug	1	2
6	09 14 10 061 90	seal	1	2
7	04 30 11 038 75 90	fixing set	1	2
8	09 31 11 012 90	pin	1	2